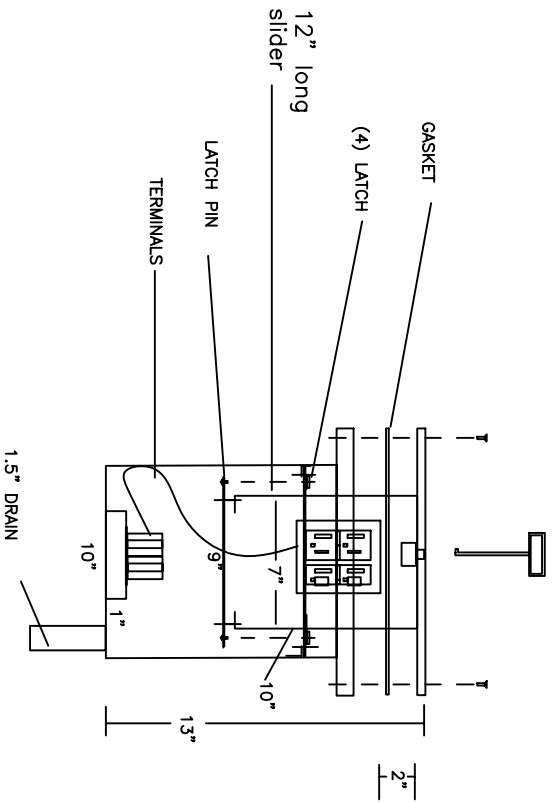
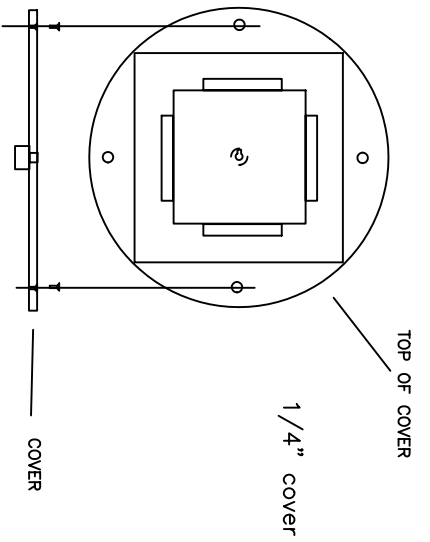


PULL UP BOX CAN SUPPORT
 ANY 2 GANG DEVICE ON ANY
 OR ALL FOUR SIDES..

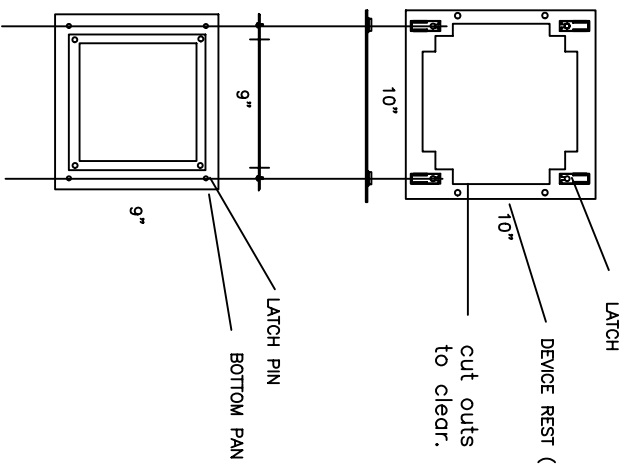
HANDLE
 7



14\"/>



cut outs for the WP covers
 to clear. 5\"/>



Combined Utilities Box Systems
 5325 N. COMMERCE AVE., #4, MOORPARK, CA 93021
 PHONE: 805/532-1776; FAX: 805/529-9466

PULL-UP FLOOR BOX DETAIL

PULL UP BOX

REV.

THIS IS A CAD GENERATED DRAWING. ALL CHANGES MUST BE MADE BY THE CAD OPERATOR

DATE:
 4.9.9

DRAWN BY:
 jgl

DRAWING NO.:

0904001