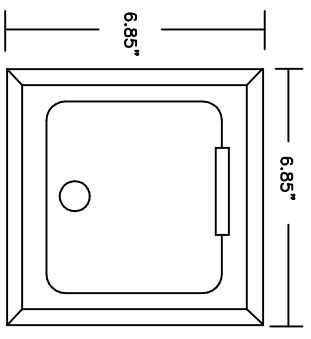
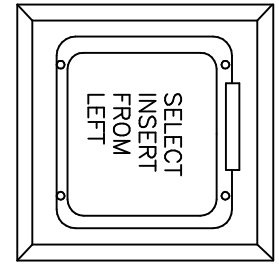


SIDE VIEW

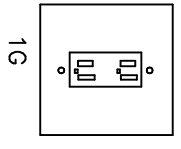
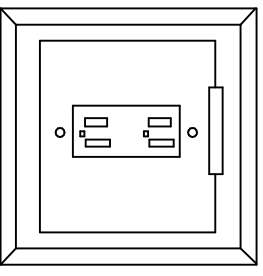


FRONT VIEW
W/COVER

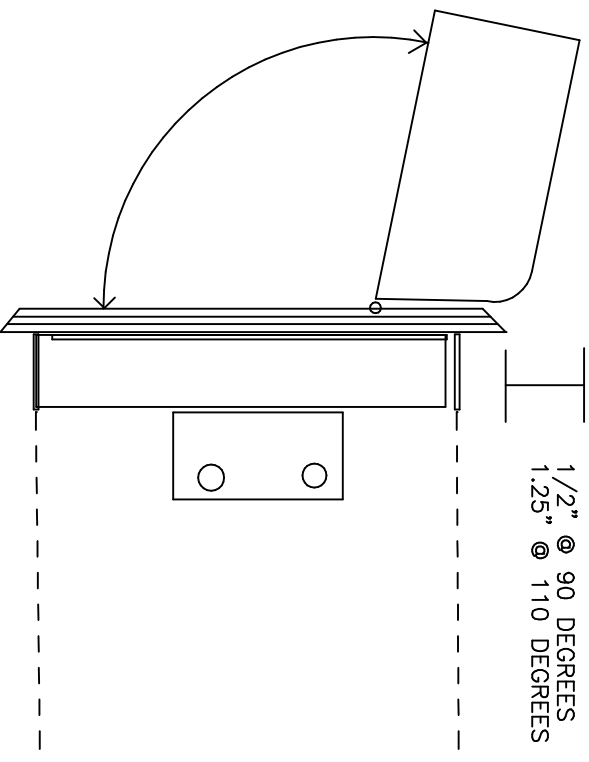


FRONT VIEW
W/O COVER

CUB-W-xx

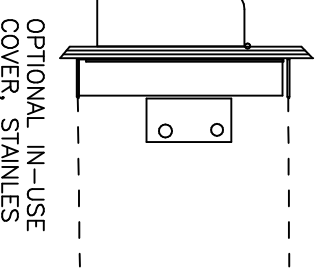


1G



1/2" @ 90 DEGREES
1.25" @ 110 DEGREES

OPTIONAL IN-USE
COVER, STAINLES



OPTIONAL IN-USE
COVER, STAINLES

THIS IS A CAD GENERATED DRAWING. ALL CHANGES MUST BE MADE BY THE CAD OPERATOR

CBS
Combined Utilities Box Systems
 5325 N. COMMERCE AVE., #4, MOORPARK, CA 93021
 PHONE: 805/532-1776; FAX: 805/529-9466

LOCKING WALL PLATE		
DATE:	DRAWN BY:	DRAWING NO.:
11/3/9	Jgl	0911002
WALL PLATE		REV.