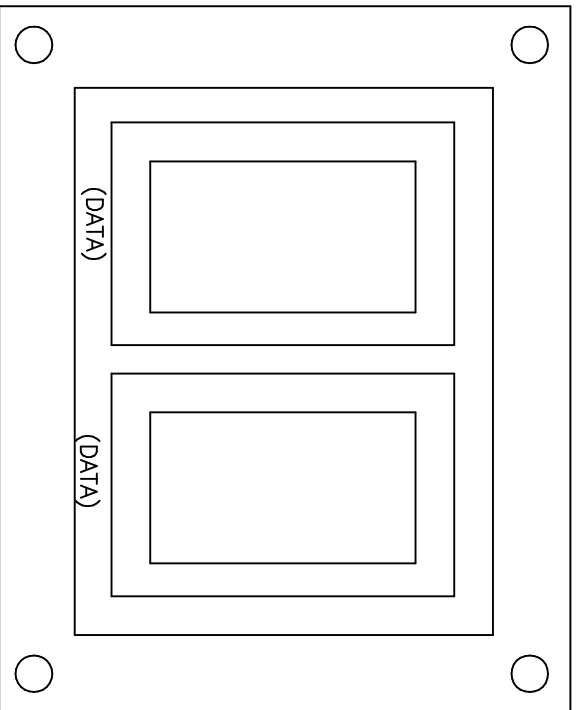
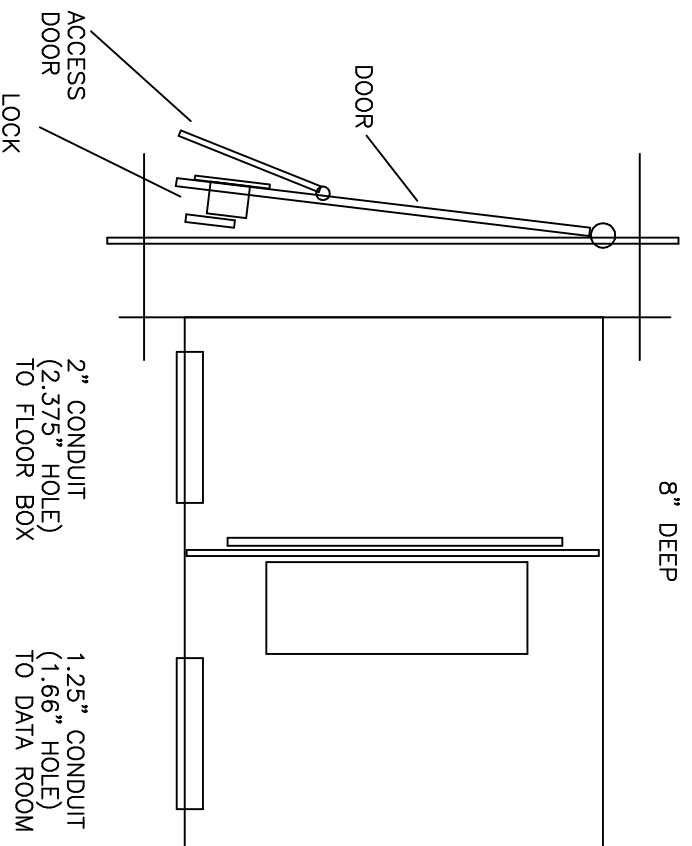
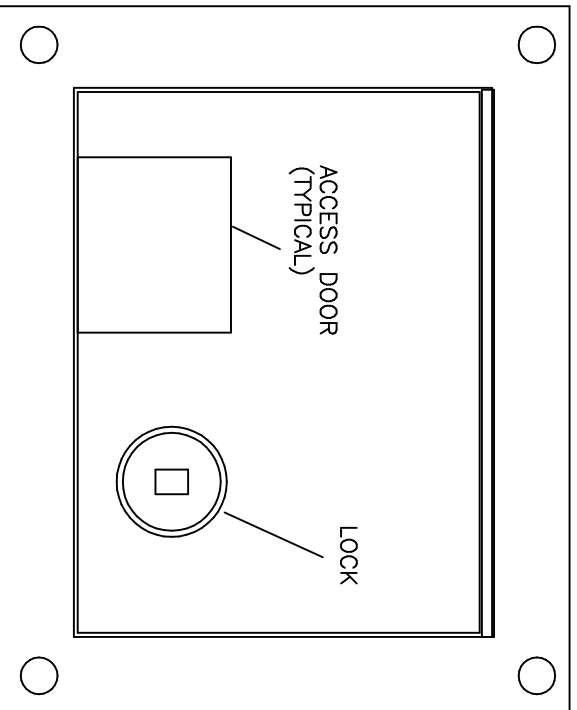


9"



7.5"



ENCLOSURE: #16 304 SS 12.5X7.5X8"DEEP
 COVER: #16 304 SS HINGED LOCKING W/ASSESS
 DEVICE PLATE: #16 304 SS 2-GANG
 PART #: CUBS-WALL-2G/2D-SS, OR APPROVED
 EQUAL BY ENGINEER

CUBS
Combined Utilities Box Systems
 5325 N. COMMERCE AVE., #4, MOORPARK, CA 93021
 PHONE: 805/532-1776; FAX: 805/529-9466

FAIRPLEX - POMONA

WALL BOX DETAILS

WALL 2

REV.

THIS IS A CAD GENERATED DRAWING. ALL CHANGES MUST BE MADE BY THE CAD OPERATOR

DATE: 9.15.9	DRAWN BY: jgl	DRAWING NO.:
		09091001